

Model AR-6500 series

Contact & Non-Contact Thermometer

AR-6500 series infrared thermometers are capable of non-contact temperature measurement and come with contact type thermometer functions.

AR-6500系列

AR-6500系列为非接触式红外温度计，同时也搭配了接触式温度计功能。



AR-6500 Series
Handy type

Features

- Broad measurement range
- Small measurement area
- Wide range of emissivity settings
- Automatic emissivity setting using contact-type probe

Specifications 规格

Model	AR-6500	AR-6501	AR-6500-H	AR-6501-H
Measurement range	-50~500°C		0~1200°C	
Resolution	0.1°C		1°C	
Laser aiming	●	●	●	●
Contact mode	●	●	●	●
Measurement accuracy	TABLE I		TABLE II	
Reference junction compensation accuracy	±0.2°C at 25±10°C			
Temperature coefficient	±0.01% of full scale °C			
Power supply	Ni-Cd rechargeable battery (4AA)			
Battery life	30 hours~ (10 hours when laser is used continuously)			
Environmental limit	Operation 0~40°C, 0~80%RH (Without dew)			
	Storage -20~50°C, 0~85%RH (Without dew)			
Analog output (TABLE III)	—	1mV/°C	—	1mV/°C
Weight	approx. 400g			
Accessories	Manual, Soft case, Lens cap, Charger, Test report			
	—	Output cable	—	Output cable

TABLE I

AR-6500, AR-6501		Field of view	
		φ19	φ52
		φ95	φ137
		500	1000
		1500	2000
		mm	
Non-contact	250.1~500.0°C	±(0.8% of reading+1 digit)	
	0.0~250.0°C	±(2°C+1 digit)	
	-50.0~-0.1°C	±(3°C+1 digit)	
Contact	-50.0~500.0°C	±(0.05% of reading+0.1°C)±1 digit	

Non-contact mode

Detector	Thermopile
Spectral response	8~14μm
Repeatability	±(0.4% of reading+1 digit)
Response time	approx. 300ms
A-constant adjustment	0.10~2.00 (0.01 step)
Laser aiming	JIS C6802 Class2

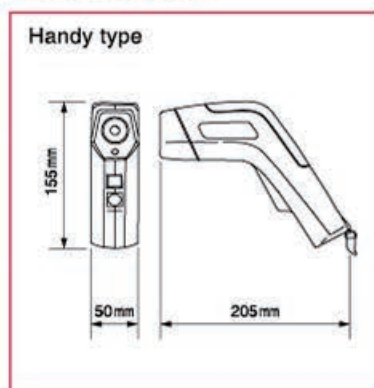
Contact mode

Input	Thermocouple Type: K
Sampling time	approx. 300ms
Input connector	ANP connector (Miniature plug)

TABLE II

AR-6500-H, AR-6501-H		Field of view	
		φ12	φ33
		φ60	φ87
		500	1000
		1500	2000
		mm	
Non-contact	601~1200°C	±(0.5% of reading+1 digit)	
	251~600°C	±(3°C+1 digit)	
	0~250°C	±(4°C+1 digit)	
Contact	0~1200°C	±(0.1% of reading+1 digit)	

Dimensions



Accessories

Charger

B-115/230-5.5
(for AC115V or 230V)



Not CE-approval

TABLE III

Output rate	1mV/°C
Accuracy	±(0.15% of F/S+1mV) : at 25±5°C
	±(0.15% of F/S+1mV)±0.01% of F/S: except 25°C±5°C